

## NAMA/IP 1



### **INTERNATIONAL CIVIL AVIATION ORGANIZATION WESTERN AND CENTRAL AFRICA OFFICE**

#### **Twenty Second Meeting of AFI Satellite Network Management Committee**

**(SNMC/22)**

**(Lome, Togo, 15 – 19 December, 2014)**

Information paper 1: Change of 11 meter SCPC Satellite dish in Lagos and Kano to 4 meter VSAT antennas

#### SUMMARY

The purpose of this paper is to inform the meeting that NAMA has completed arrangement to change the 11 meter dish in Lagos and Kano to 4 meter VSAT antennas.

#### **1. Introduction**

The SCPC satellite earth station has become consistently difficult to sustain due to lack of spare parts. Of particular interest are the antenna components (ACU,

Motor controllers, Angular resolvers, Radom, etc) which could not be repaired nor replaced.

To ensure continuity of service with adjacent FIRs, NAMA decided to change the large diameter satellite antennas to smaller and manageable VSAT terminals at Lagos and Kano to operate on SCPC.

## 2. Discussion

The change will affect only the following components.

- The 11 meters antenna
- UP/DC
- SSPA
- SCPC MODEM.

The configuration of the new system is shown by the following figures

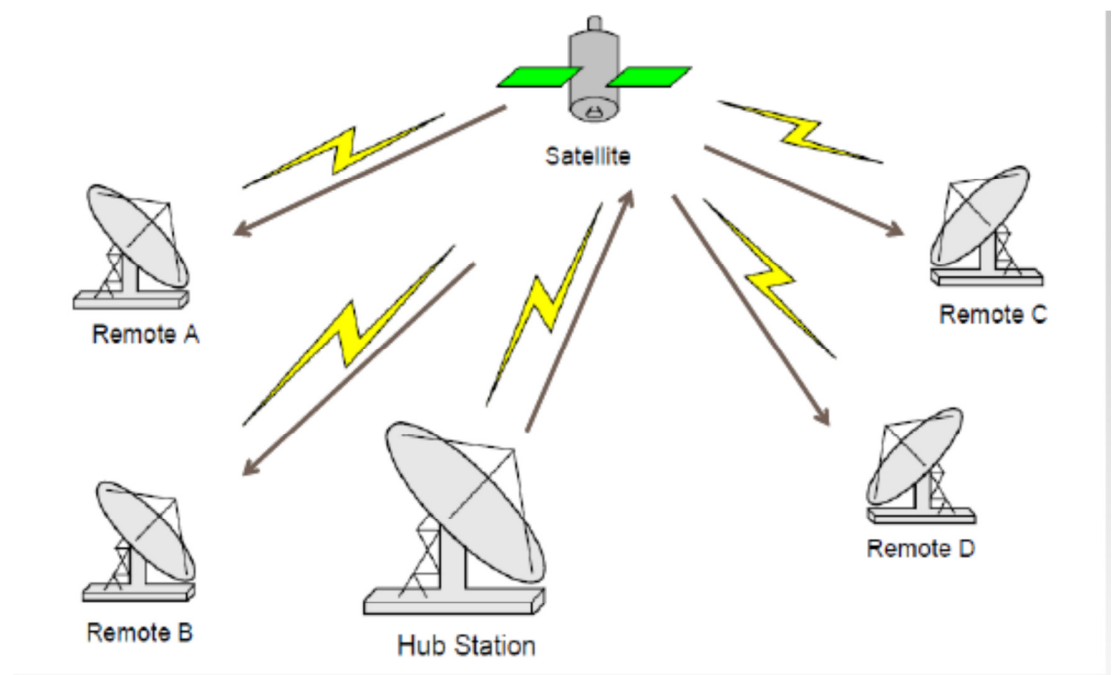


Figure 1: The AFINET SCPC point – to - point satellite network

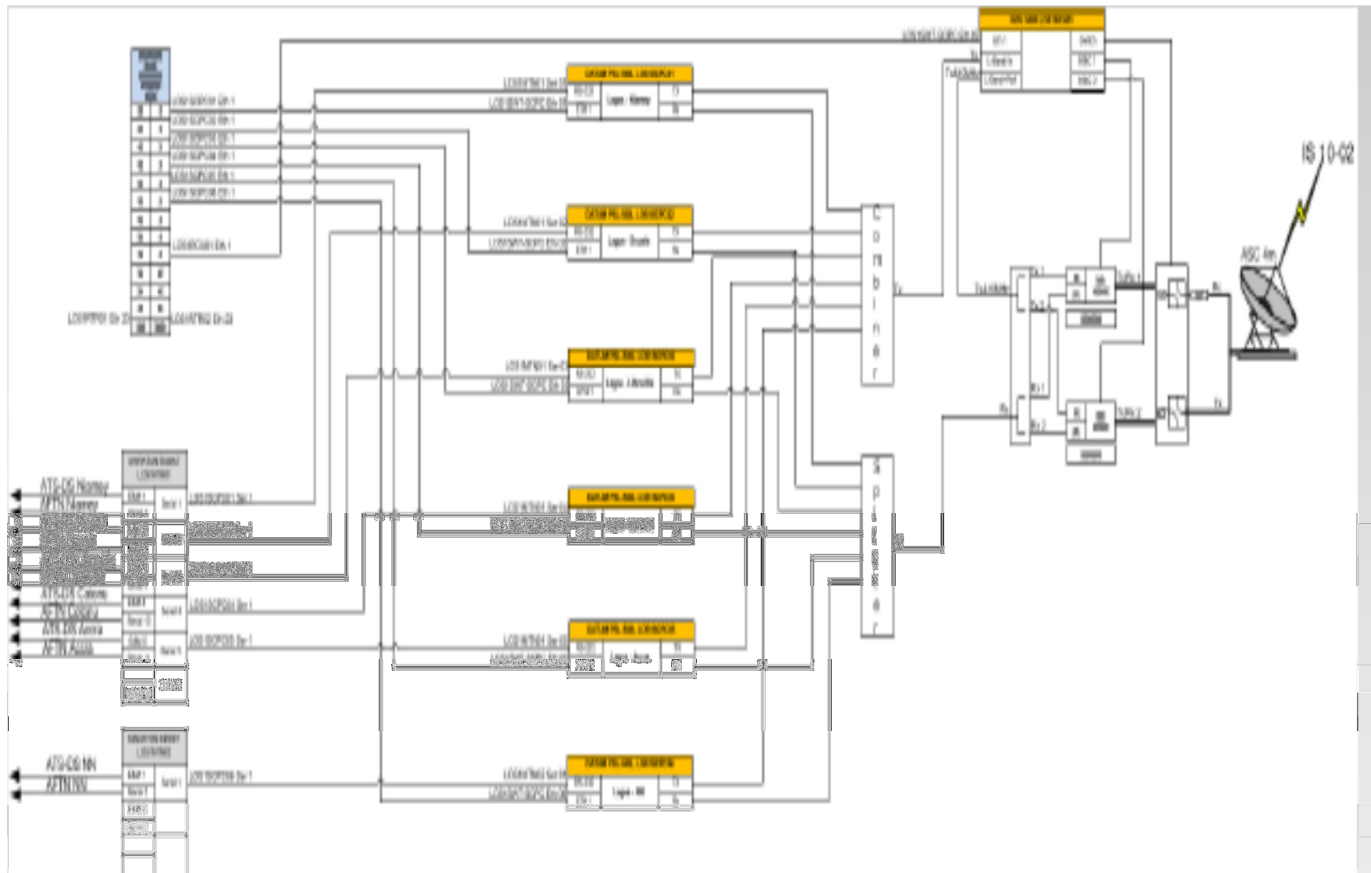




Figure 2: Configuration of the new SCPC system

The change will not affect the delivery of the expected services

-  AFTN
-  ATS/DS

### 3. Action by the meeting

The meeting is invited to:

- a. Take note of the information contain in the paper
- b. Be guided appropriately in the effort to re engineer AFI satellite network

.....