



International Civil Aviation Organization

APAC AIDC ICD AND PAN REGIONAL AIDC ICD TASKFORCE

3-5 March 2014

SIP AIDC Seminar in Cairo

APAC AIDC ICD



1st Version of APAC AIDC ICD was developed in 1995 by APANPIRG AIDC Task Force;

2nd Version of the ICD for the AIDC was updated by reactivated Task Force in 2003;

3rd Version of the ICD was developed by AIDC Task Force in 2007 after which the Task Force was disbanded.

∴

This is current version of the ICD used in the APAC Region.

http://www.icao.int/APAC/Documents/edocs/icd_aidc_ver3.pdf

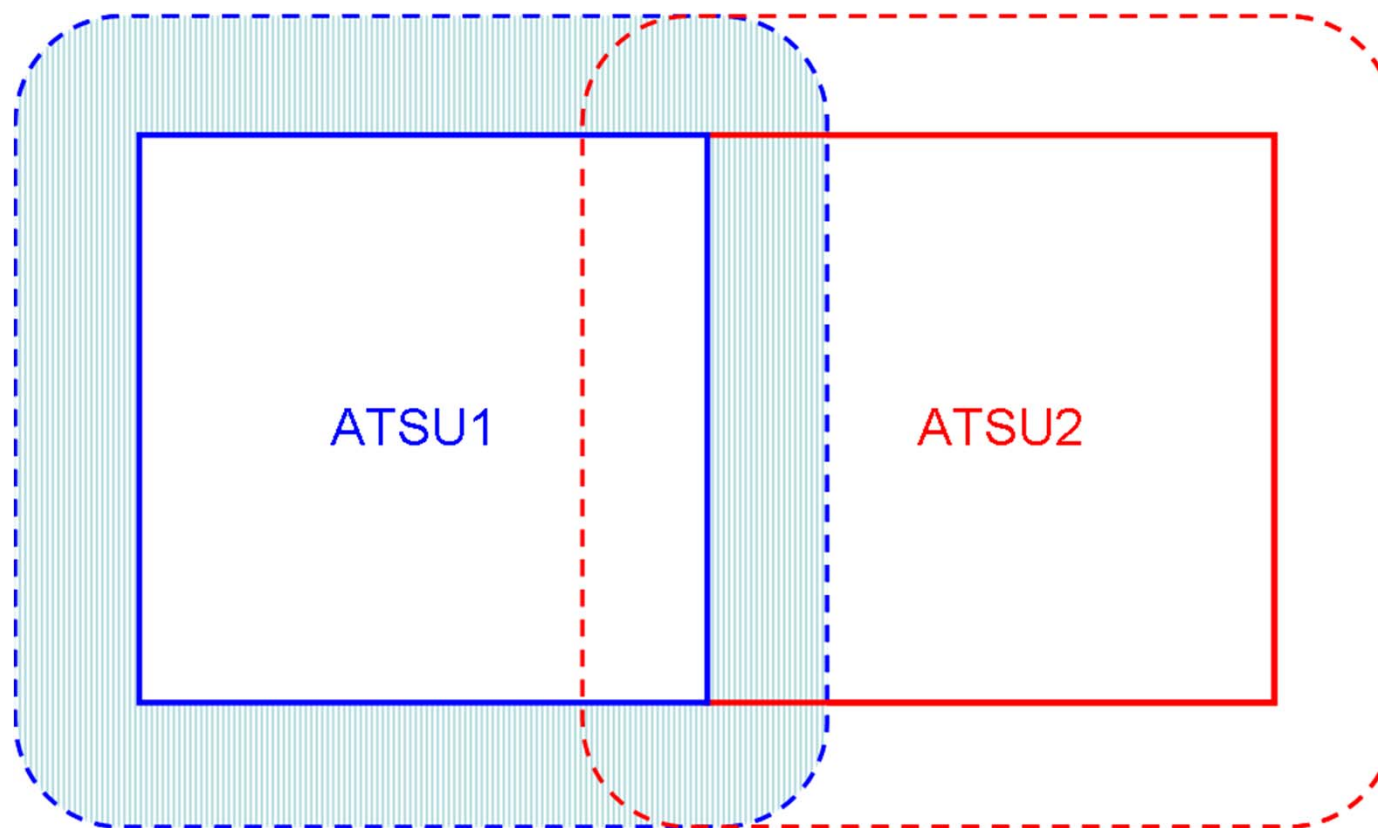
IR AIDC TF



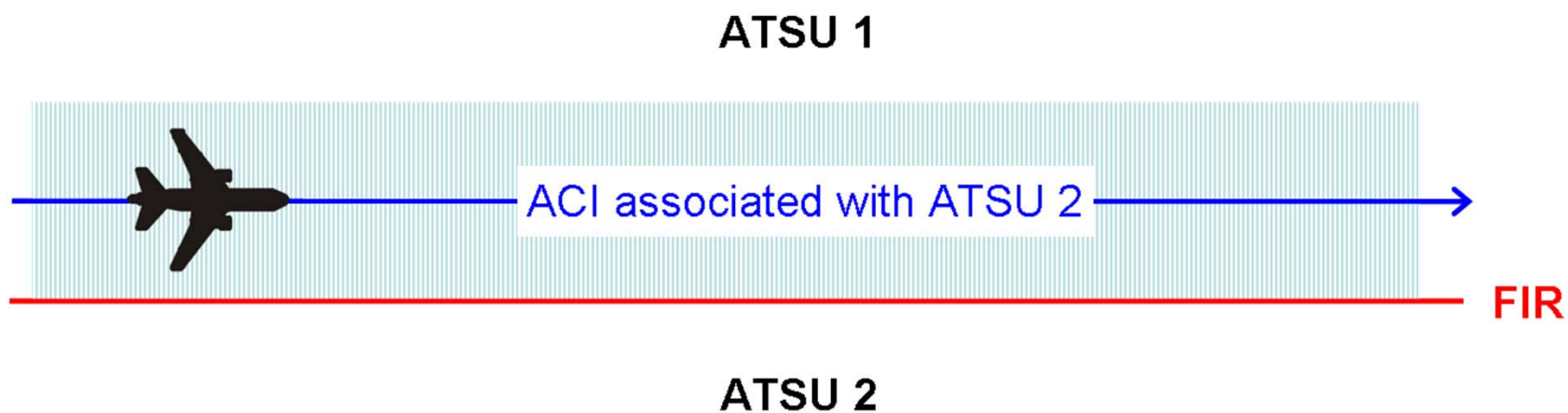
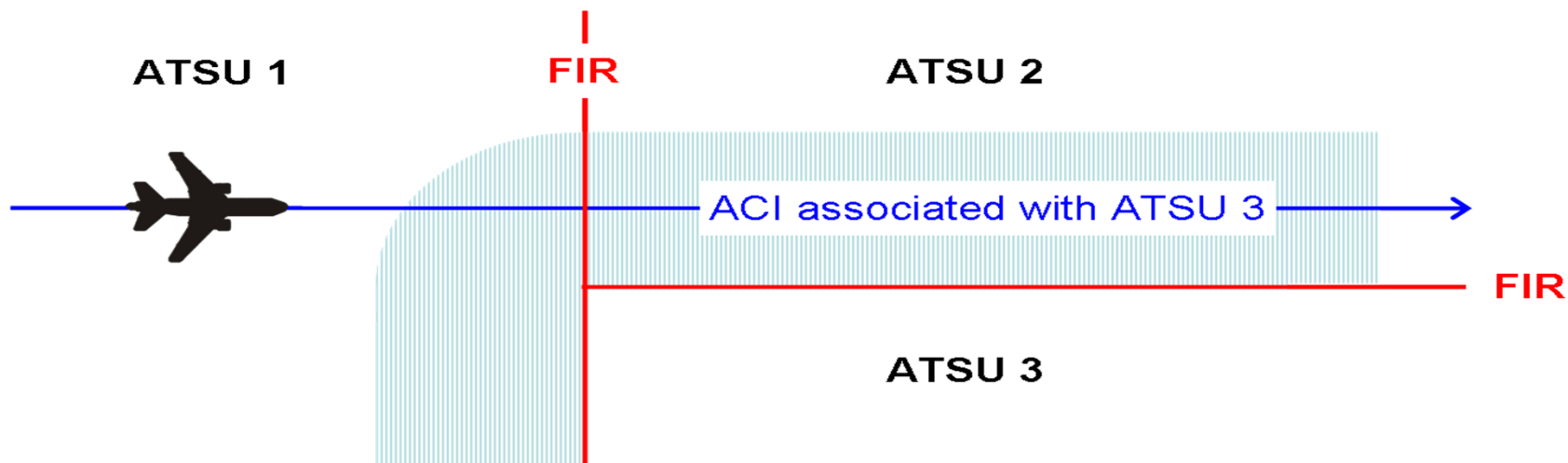
- In 2012, NATSPG Conl 48/28 & APANPIRG 23/20 established inter-regional AIDC Task Force to deliver a consolidated ICD for AIDC;
- 1st Meeting of the IRAIDCTF was held in Paris ICAO Office from 16-18 January 2013;
- 2nd Meeting of the IRAIDCTF was held in 22-26 July 2013;
- 3rd face to face meeting of the Task Force is scheduled for 24-28 March in Montreal.

- - A number of teleconferences were also held to progress the discussion on PAN Regional ICD for AIDC;
- - The combined ICD (NAT CC UCD v 1.3.0 and Asia/Pacific regional ICD for AIDC Version 3) has been carefully reviewed and updated by the nominated members of the Task Force.
- The PAN ICD is expected to be ready for two PIRGS (ANPANPIRG and NATSPG) this year. Currently is Draft Ver. 8.3

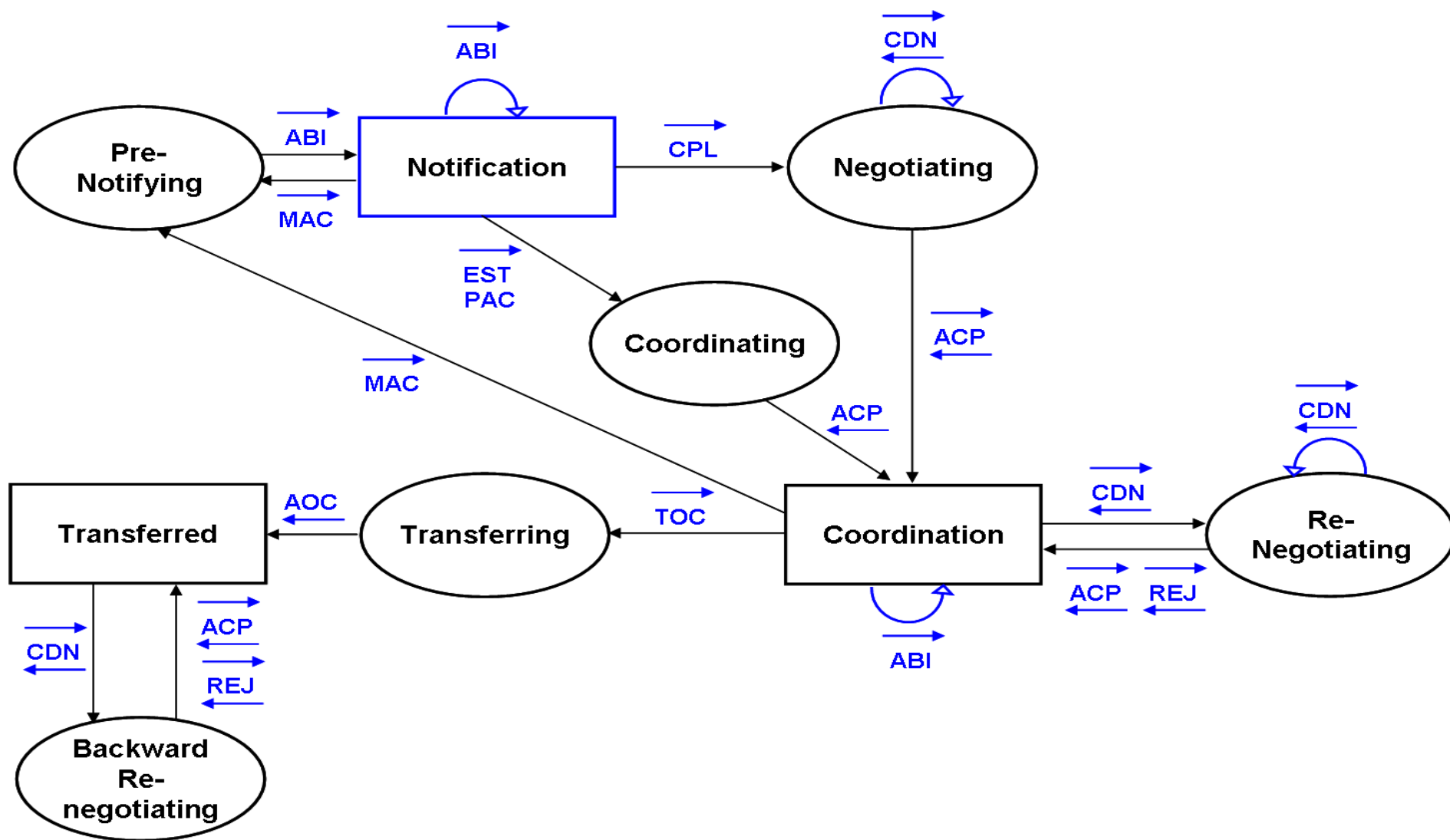
- Concept of ACI (AREA OF COMMON INTEREREST)



Examples:



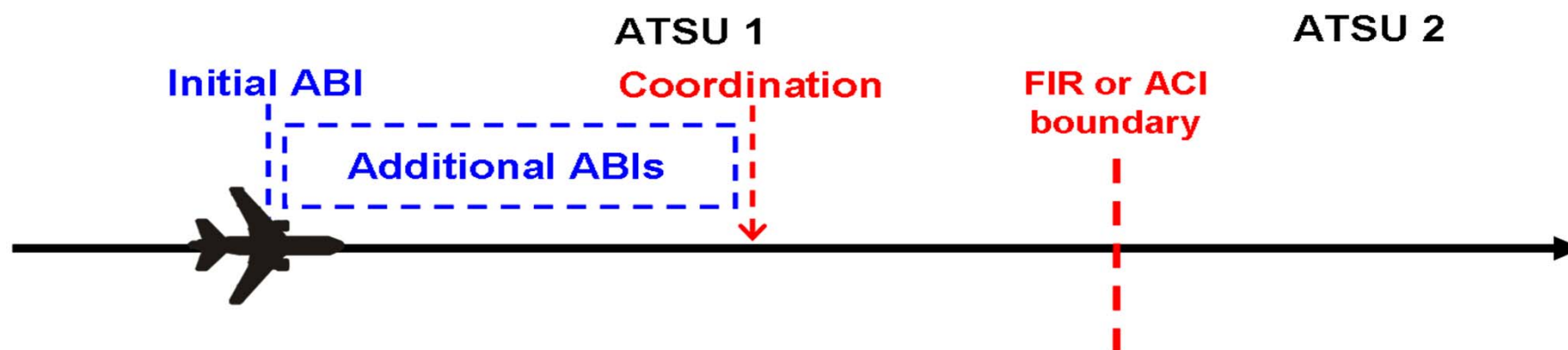
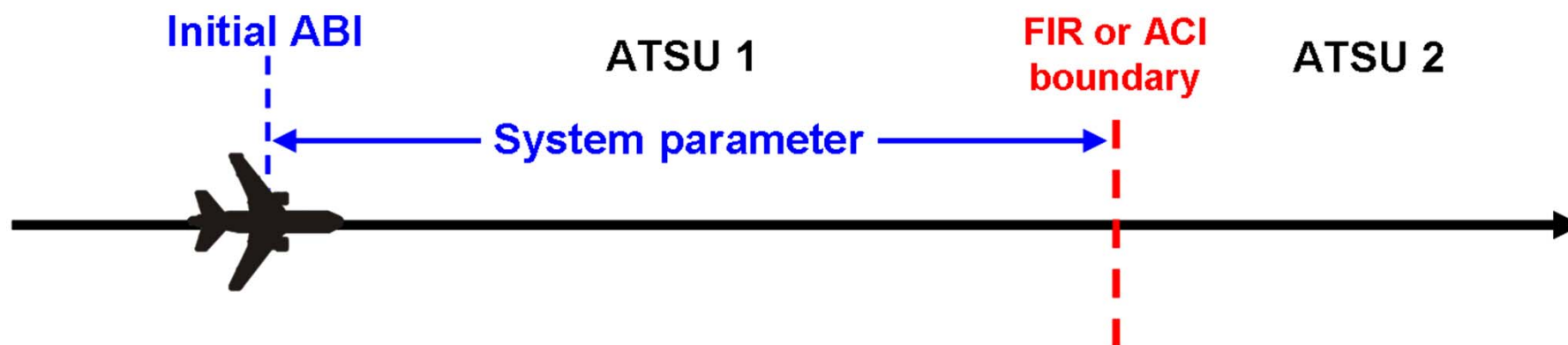
Flight State Transition Diagram



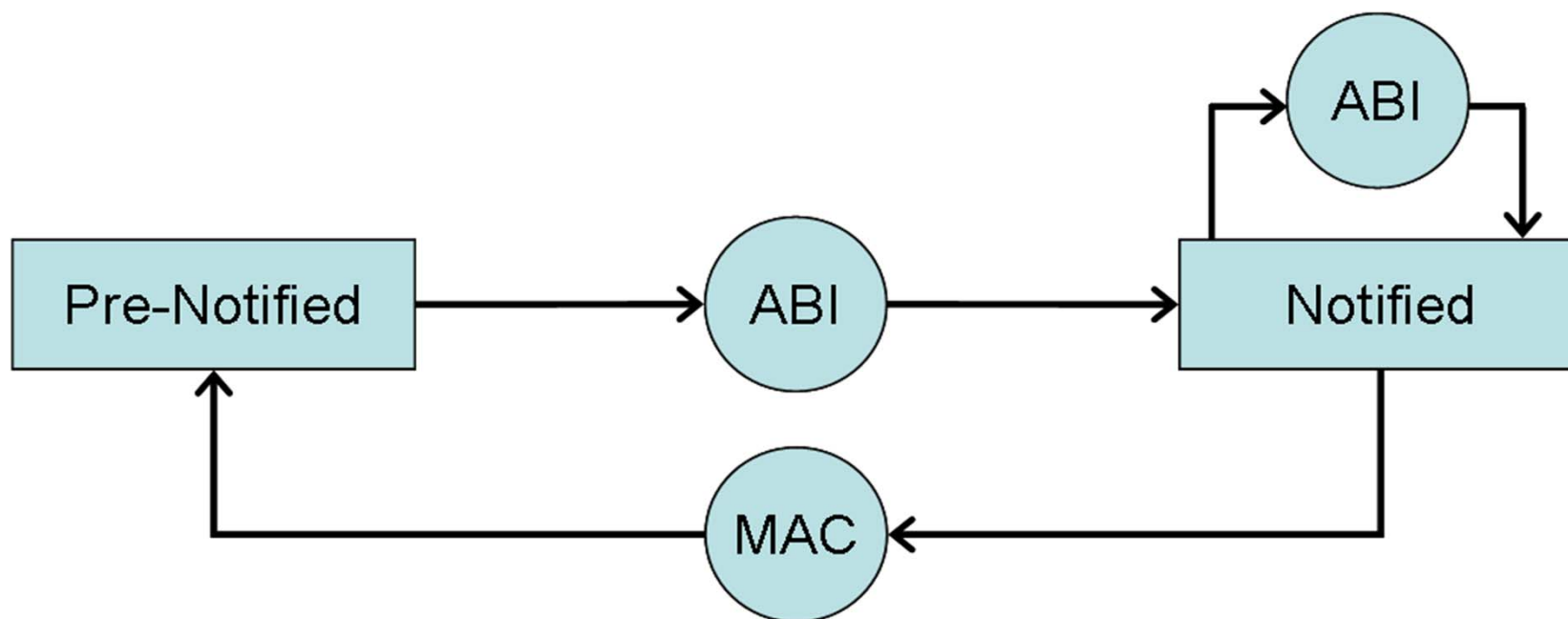


- **Flight State**
- Pre-Notified
- Notified
- Negotiating
- Coordinating
- Coordinated
- Re-Negotiating
- Confirming
- Transferring
- Transferred
- Backward Re-Negotiating

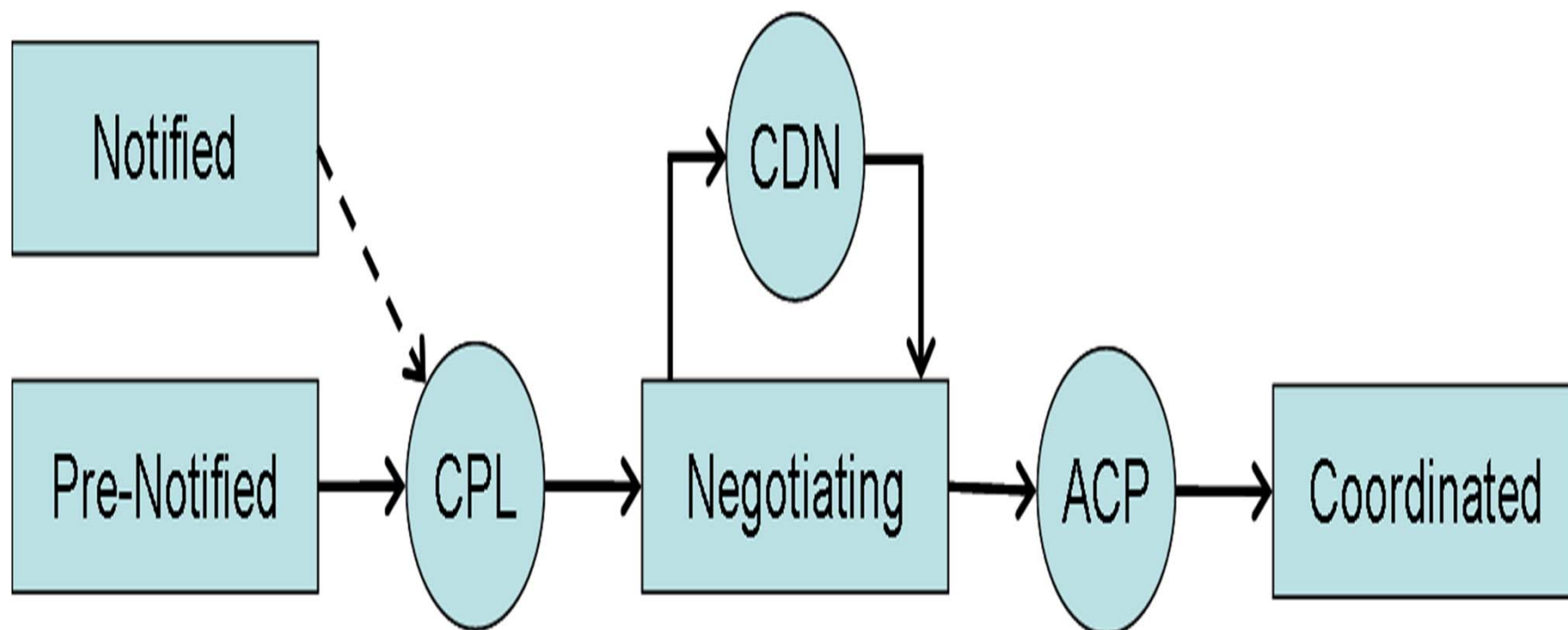
Pre-Notified" flight state



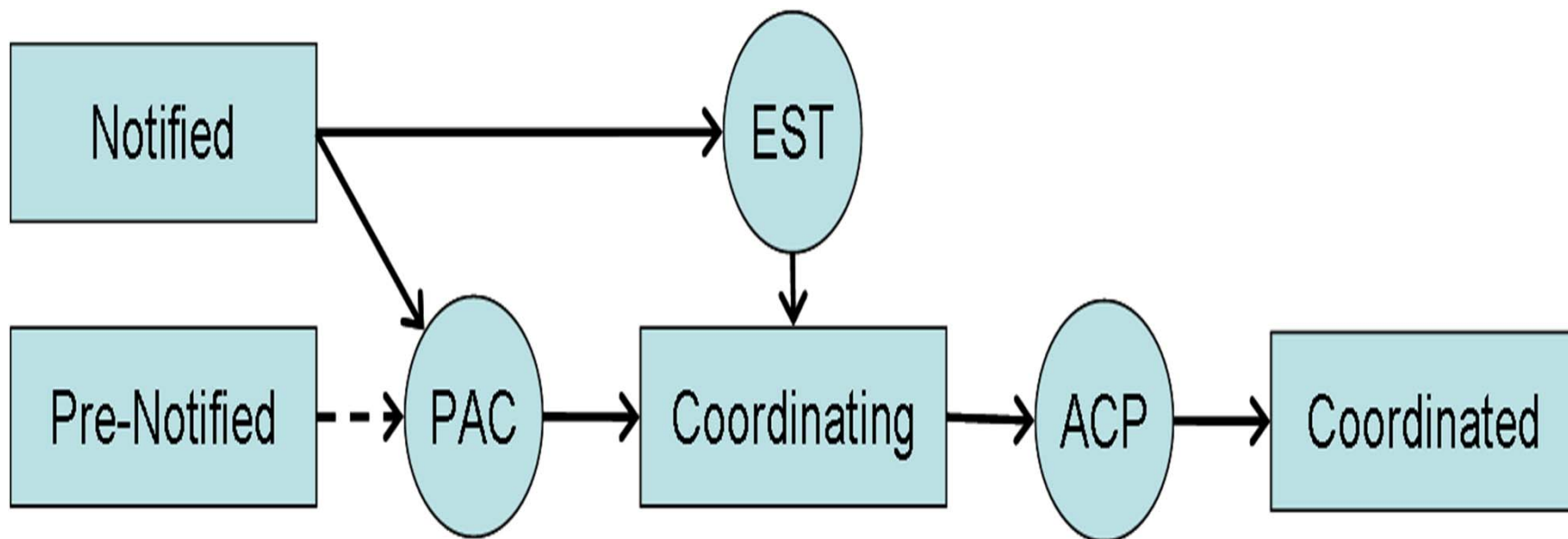
Notification Cancellation



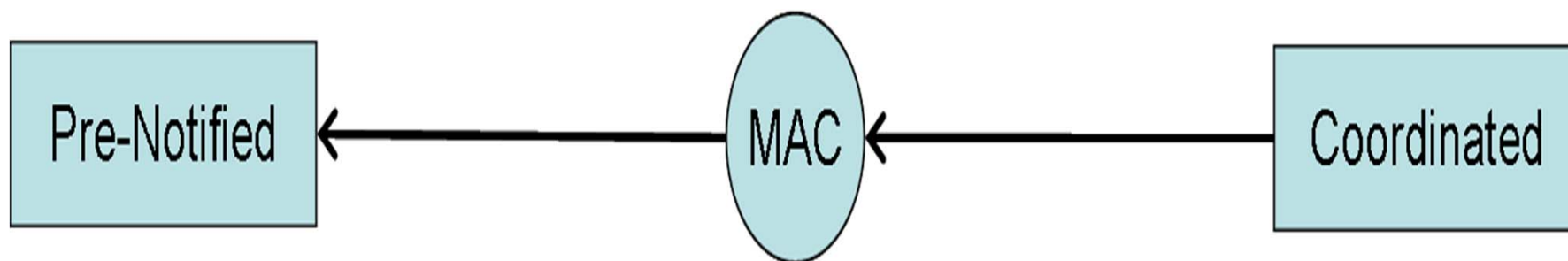
Initial coordination dialogue



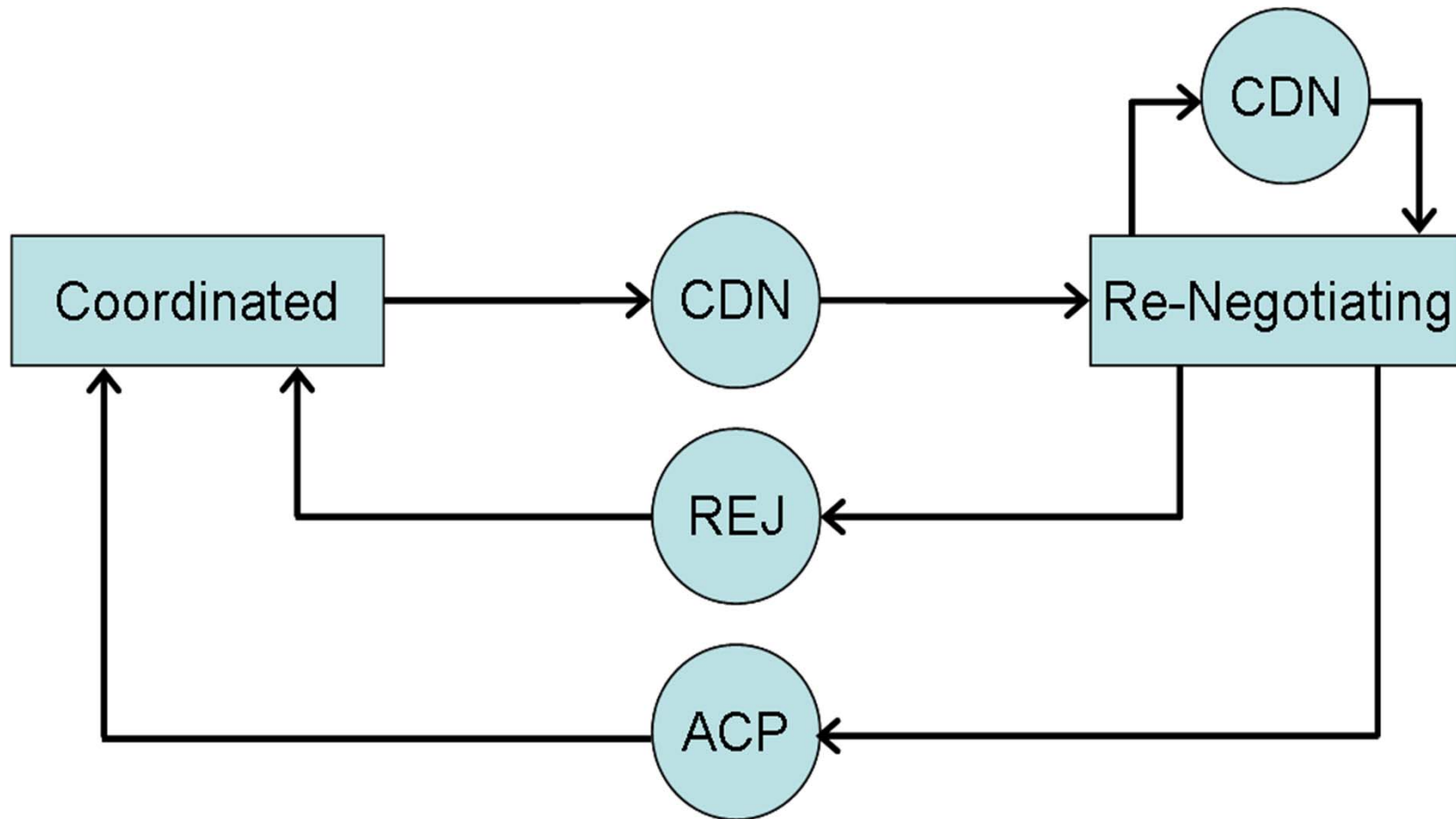
Abbreviated Initial Coordination Dialogue



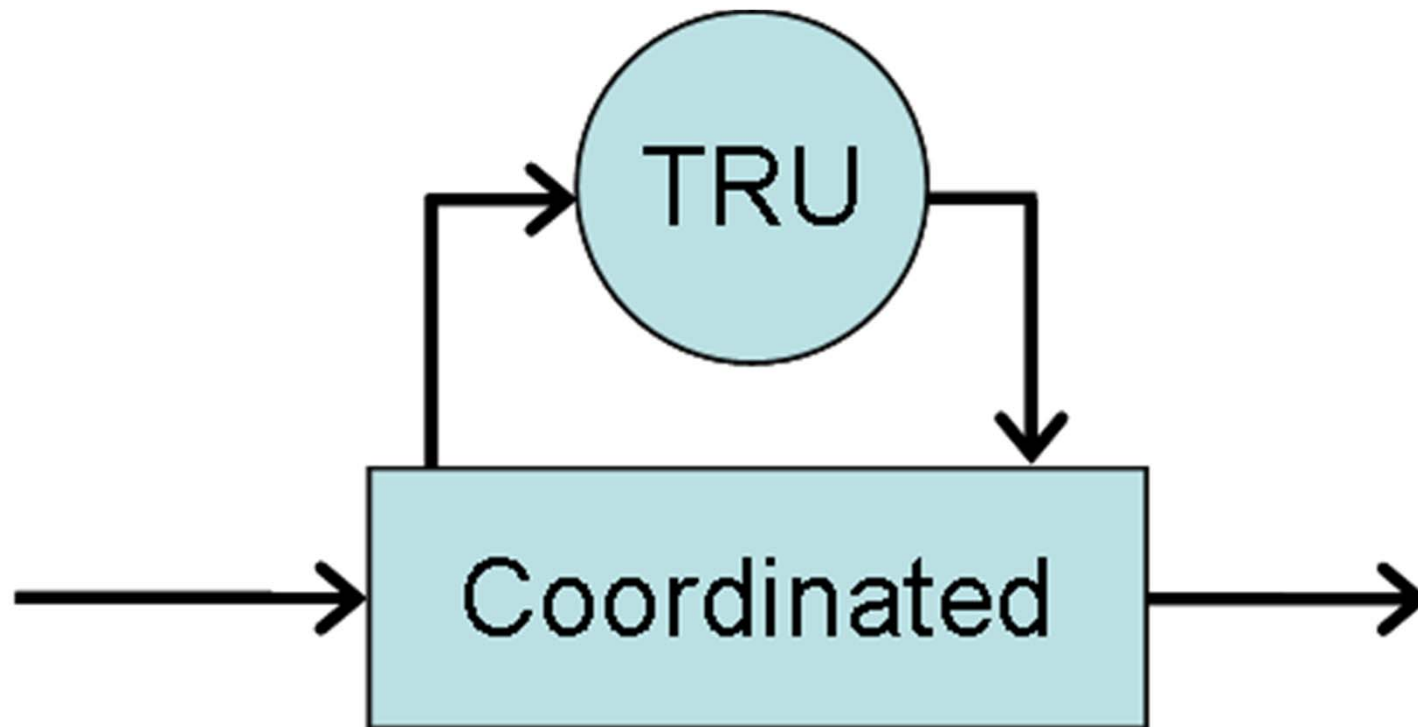
Coordination Cancellation



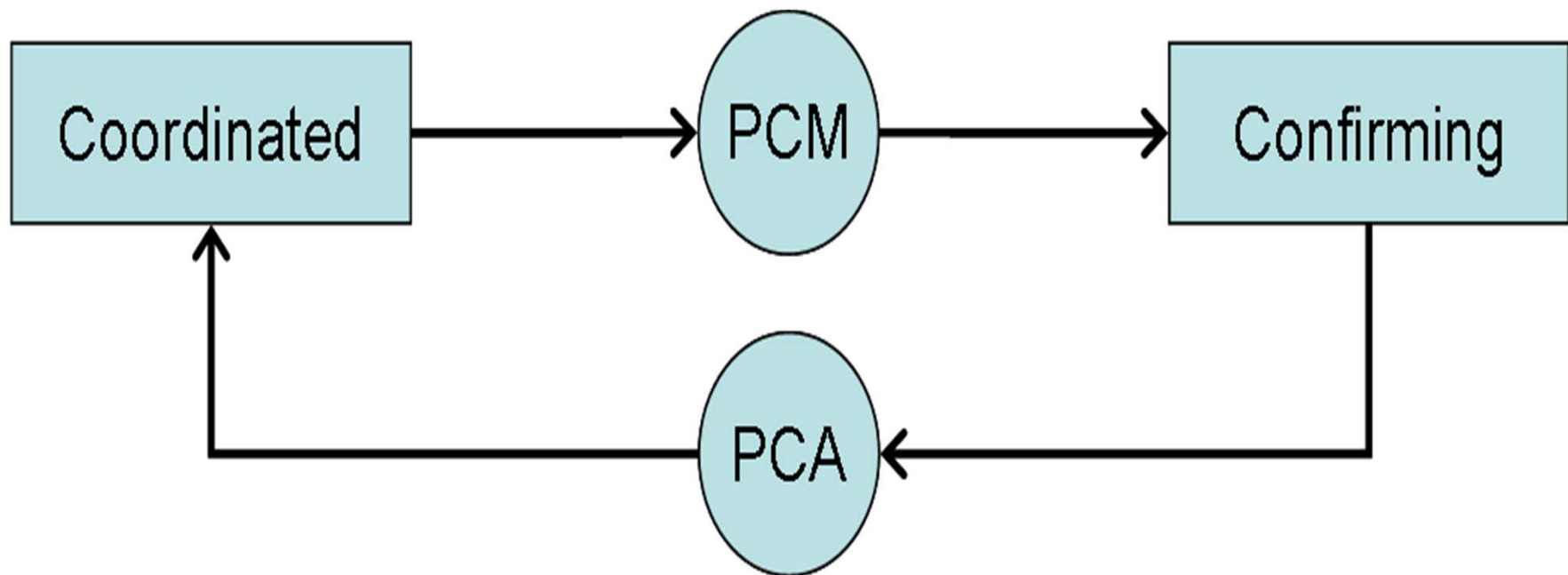
Coordinating revisions to flight details



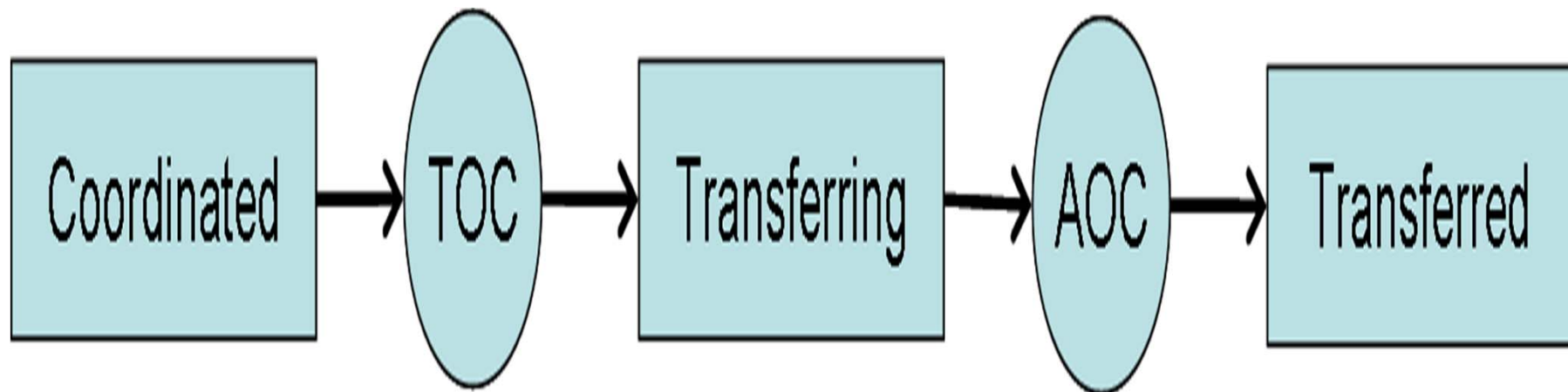
Automatically updating agreed coordination



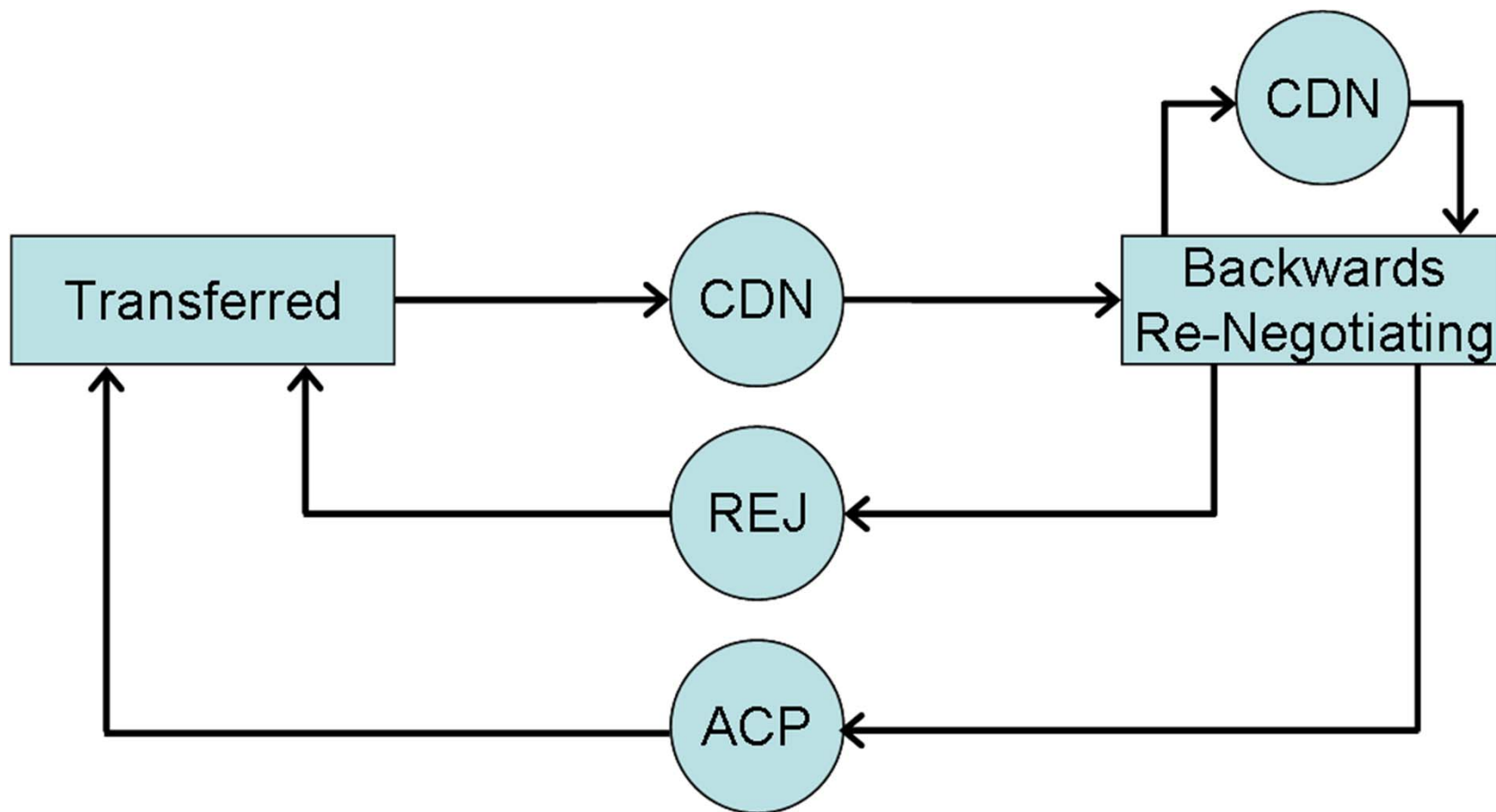
Confirmation of coordination



Flight states associated with Transfer of Control



Backward Re-Negotiating State.



- Transition Table messages