



ICAO New Flight Plan Format Study Group
(INFPL SG/4)

Cairo
27-29 February 2012

EUR Testing & Training

Kim Breivik

Chairman EUR 2012 Task Force

Operational Requirements, Network Management

EUROCONTROL

Testing - General

- It is recognised that the best way to mitigate many concerns is to ensure adequate testing is performed in due time
 - Note: there is no fallback procedure for 2012
- ICAOs Programme Phases document recommends testing to have been performed by 2nd quarter of 2012

IFPS Testing

- Three types of testing possibilities:
 - IFPS Validation System (IFPUV)
 - Static Testing
 - Dynamic Operational Test sessions (OPT)
- Participation open to all, EUR and non-EUR

IFPUV [1]

- A tool to test the validity of FPL messages only
- Can be used by AOs, AROs or flight plan service providers (CFSPs) to validate New format FPLs
- Can be used by ANSPs in the creation of valid New format FPLs for testing purposes
- Can be used for almost all 2012 validation purposes regardless of departure, destination and route. It can therefore even be used by AOs that never normally fly within European airspace

(A 'valid' response will not ultimately be achieved if the route does not contain a portion within Europe. However, the 2012 changes are almost all syntax/semantic related and the IFPUV will always report syntax errors)

IFPUV [2]

- Is available today via AFTN (EUCHZMFV), SITA (BRUEY7X), B2B or Public Web:

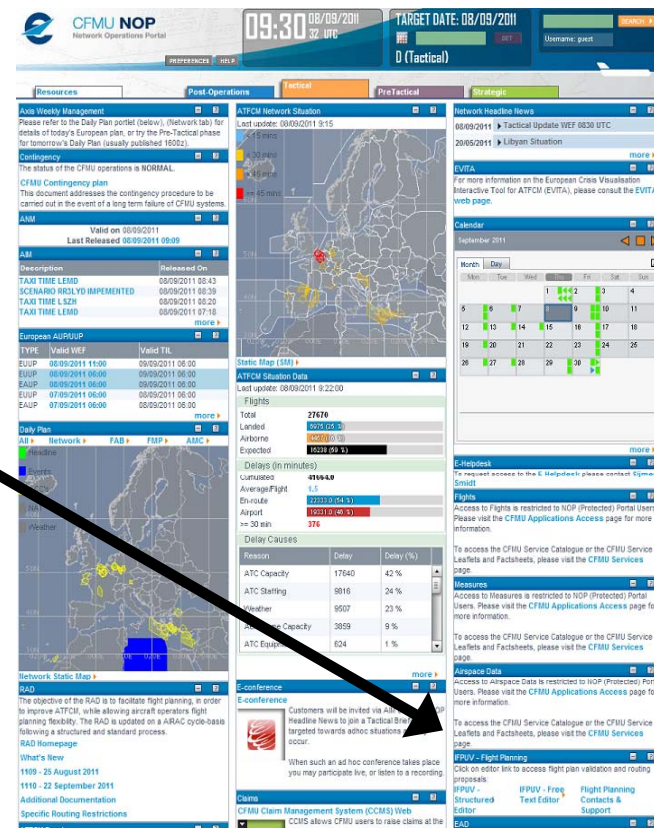
http://www.cfm.europa.int/cfm/public/subsite_homepage/homepage.html

CFMU Applications

- CFMU NOP Network Operations Portal Public
- CFMU NOP Network Operations Portal Protected
- CIR CFMU Interactive Reporting Protected
- CCMS Web CFMU Claim Management System Protected

Focus

- ICAO 2012 FPL



Reason	Delay	Delay (%)
ATC Capacity	17840	42 %
ATC Staffing	9816	24 %
Weather	9507	23 %
ATC Capacity	3059	9 %
ATC Equipment	624	1 %

Static Testing

- The exchange, preferably via e-mail, of files containing:
 - ➔ example test messages (FPLs, CHG, DLA, CNL, ARR, etc.)
 - ← processing results
- Can be used by:
 - AOs, AROs or CFSPs to validate New format messages produced by their system with IFPS and/or relevant ANSPs
 - ANSPs to ensure consistency with IFPS:

A file(s) of New format flight data, considered valid by IFPS, is made available by CFMU for:

 - IFPS States
 - Non-IFPS States & [other regions](#)
 - ANSPs to ensure consistency with other ANSPs
- Test data should be:
 - consistent with currently applicable AIRAC data
 - attention paid to DOF/ values

OPT Testing

- On-line, pre-determined test sessions
 - Requires significant coordination effort by all concerned to ensure test addresses are configured, test data created and test scenario achieved
- Test Schedule
 - OPT1: 30 January – 3 February 2012
 - OPT2: 20 – 24 February 2012
 - OPT3: 7 – 11 May 2012
 - OPT4: 4 – 8 June 2012
 - OPT5: 3 – 7 September 2012
 - OPT6: 24 – 28 September 2012

OPT - Participation

- Who can participate
 - States receiving an IFPS service, inc. 'copy' addressees
 - Non-IFPS States via use of the 'AD line' addressing mechanism
 - Any other flight plan recipients e.g. Airports, strategic planning units, etc.
 - Any AOs, AROs, CFSP – flight plan originators
- Prior registration required for each test session
 - Registration form will be provided via 'Test Plan' document

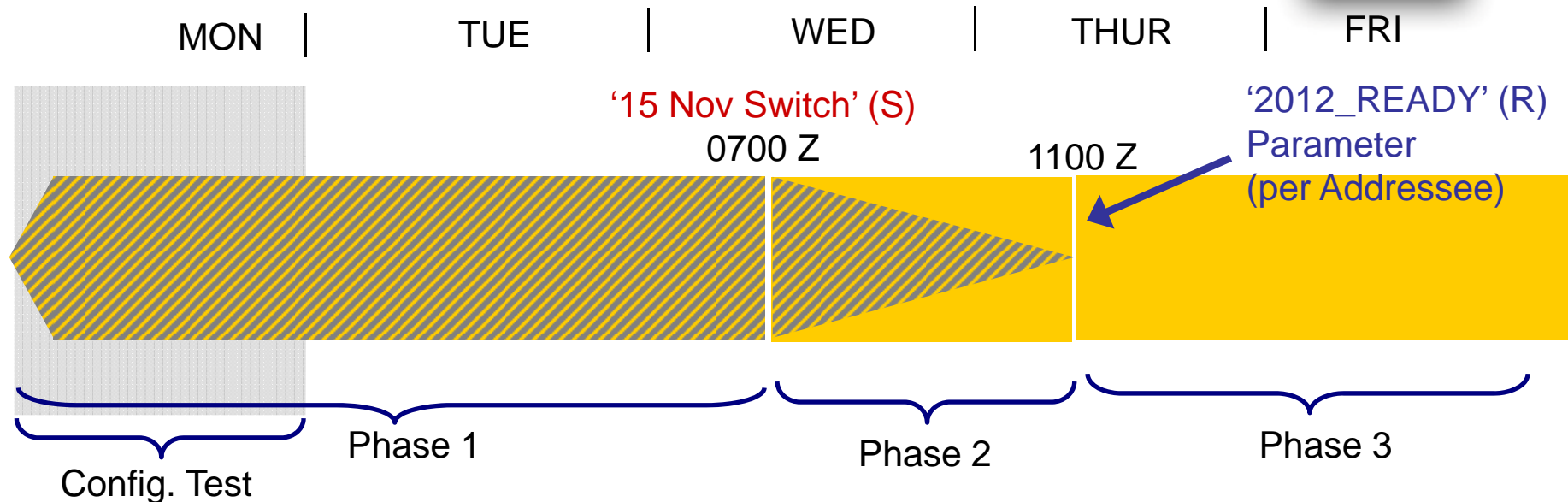
OPT – Registration Data

- Flight Plan originators are required to indicate:
 - the address from which they will send messages to the IFPS test system
 - willingness to receive ACK, MAN, REJ to the address provided
- ANSPs are required to indicate:
 - the unit or entity for which messages are requested to be sent by the IFPS test system e.g. Kiev ACC, Yerevan TWR, etc.
 - the test address to be used i.e. the test address to be assigned to the specified unit where messages from IFPS will be received;
 - the same information as for flight plan originators in case the ATC unit also intends (or needs!) to send test flight plans

OPT – Test Scenario

- Each test session will simulate the following phases:
 - Pre-15 Nov (Transition Phase)
 - IFPS: Acceptance of both Old and New formats
 - ANSP: Reception of both Old and New formats or, Old only (IFPS translation)
 - Roll-over Period
 - IFPS: Acceptance of Old + New → Acceptance of New only
 - ANSP: Reception of Old + New or Old only → Reception of New only
 - Post-15 Nov
 - Acceptance of New only by IFPS → New only received by ANSP

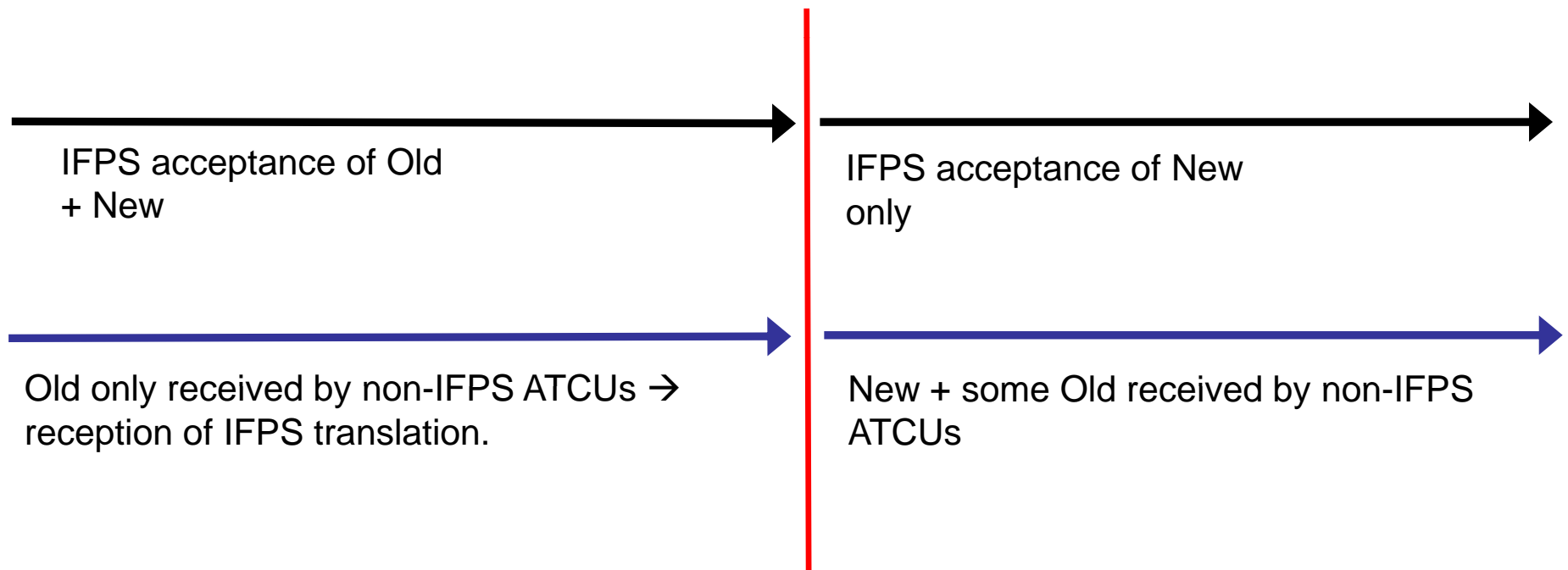
Standard Test Scenario



	IFPS behaviour	Reception by IFPS addressees	Reception by 'Unknown' AD Line addresses
Phase 1 :	Old + New accepted	Old only	Old only received
Phase 2 :	New only accepted	Old only	Old + New received
Phase 3 :	New only accepted	New only	New only received

Test Configuration – Non-IFPS States

“00:00 UTC 15 Nov”
IFPS Switch ('S')
Wed. 07:00 UTC



OPT Basic Testing

- Syntax & Semantic Testing with Standard Scenario
 - IFPS acceptance of New format messages can be tested throughout the complete session;
 - IFPS refusal of Old content can only be tested after 07:00 UTC on Wednesday;
 - Reception by ATC units within the IFPS area (and Copy addresses) of New format can only be achieved after 11:00 UTC on Thursday;
 - Reception by ATC units outside the IFPS area of New format can only be achieved after 07:00 UTC on Wednesday;
 - Reception by ATC units within the IFPS area (and Copy addresses) of Old format messages translated from New can only be achieved prior to 11:00 UTC on Thursday;
 - Reception by ATC units outside the IFPS area of Old format messages translated from New can only be achieved prior to 07:00 UTC on Wednesday

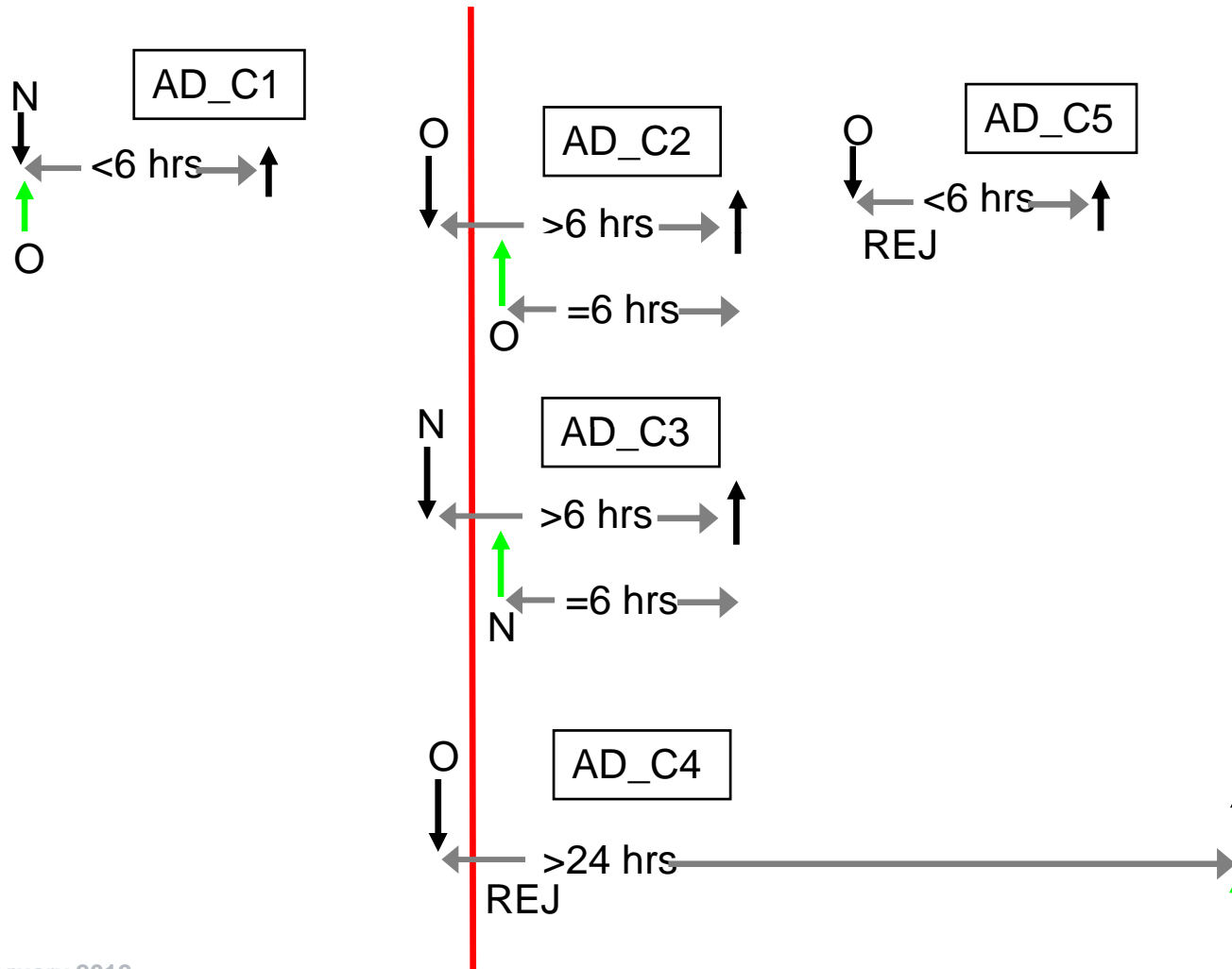
OPT – Advanced Testing

- Advanced Test Scenarios
 - ‘Translation’
 - IFPS acceptance of both Old and New formats
 - IFPS translation
 - ANSP reception of both Old and New formats, or, Old only (IFPS translation)
 - ‘Transition’
 - IFPS application of ‘2012_READY’ parameter
 - ANSP reception of Old only or Old + New in accordance with parameter setting
 - ‘Roll-over’
 - IFPS: Acceptance of Old + New → Acceptance of New only
 - ANSP: Reception of Old + New or Old only → Reception of New only

Transition + Rollover Test Cases – Non-IFPS States



IFPS Switch ('S')
Wed. 07:00 UTC



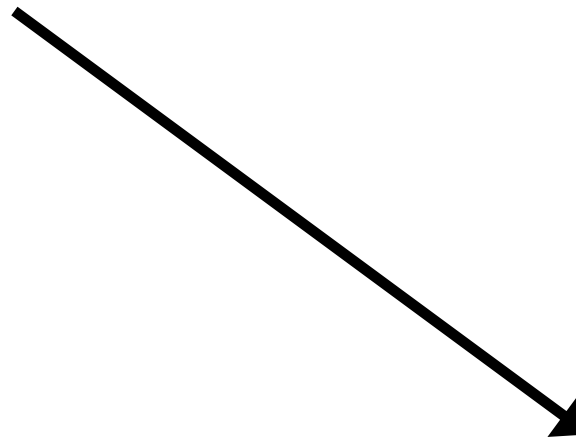
OPT – Test Data

- Test Data
 - Creation of New format FPLs necessary
 - Participation of ANSP + local AOs in the same session is encouraged
 - Compatibility with AIRAC
 - Callsigns which:
 - are easily recognised as test messages
 - will not be confused with the operational messages, which are copied to the test systems from the operational system
- Eg. DLH01XX 1st test FPL from Lufthansa
 DDW14XX 14th test FPL from ARO Bremen

Documentation - Test Plan

- All 2012 testing related information (inc. Test Registration form) is published via the '[EUR 2012 Test Plan](#)', available via the web site

http://www.cfmueurocontrol.int/cfmu/public/subsite_homepage/homepage.html

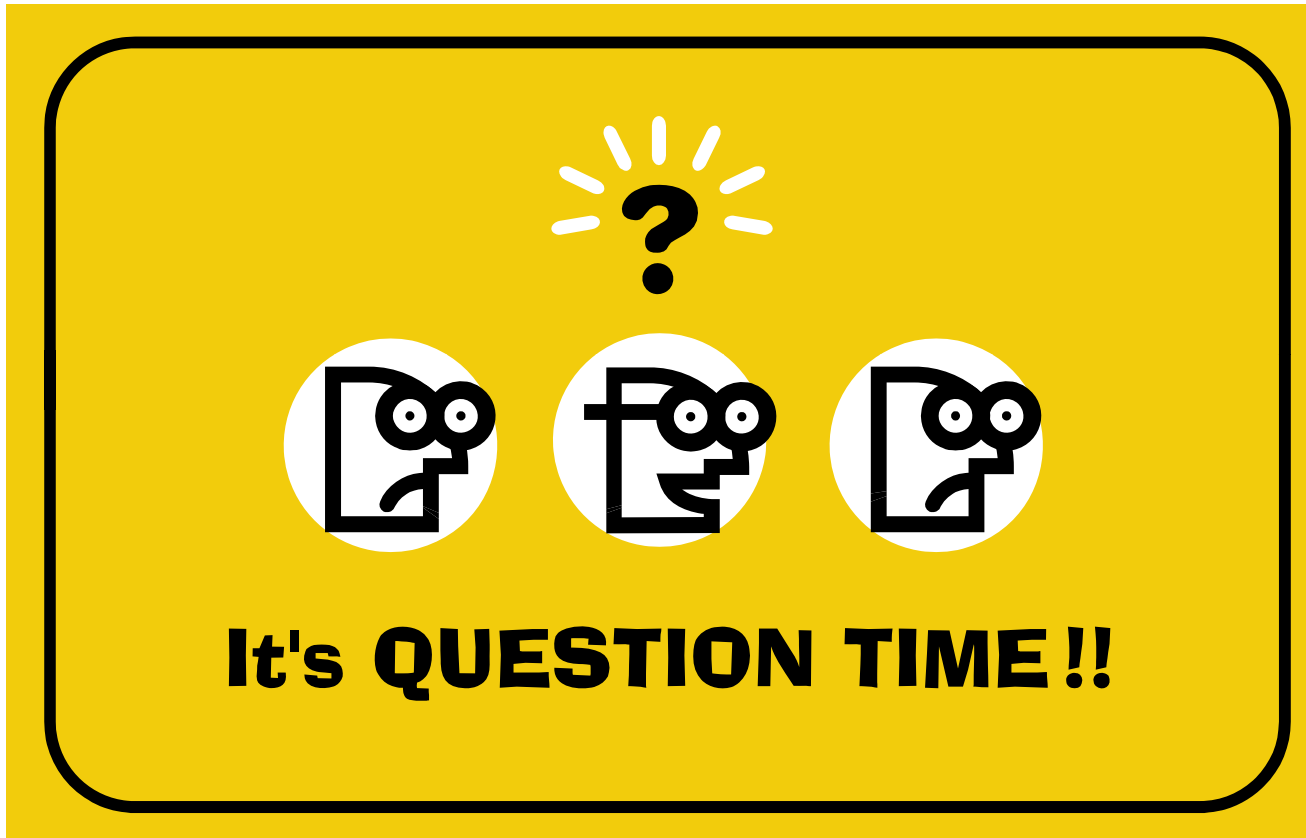


Contact: dnm.fpl2012@eurocontrol.int

Training

Training

- Computer Based Training (CBT) to be made available via Network Operations web pages
- Aimed primarily at flight plan originators
- Provides guidance concerning 2012 flight planning changes and how they impact EUR and IFPS operations
- To be available March 2012



E-Mail: dnm.fpl2012@eurocontrol.int