



ICAO

INTERNATIONAL CIVIL AVIATION ORGANIZATION

A UN SPECIALIZED AGENCY

SAM Digital Network Governance



REDDIG Governance

—
Francisco Almeida

SAM CNS Officer

falmeida@icao.int

01 Background
A bit of History

02 Timeline
20 years of Project RLA/03/901

03 Current situation
REDDIG II

04 Project Management
Regional Technical Cooperation Project

05 Network Administration
Network Control Center (NCC)

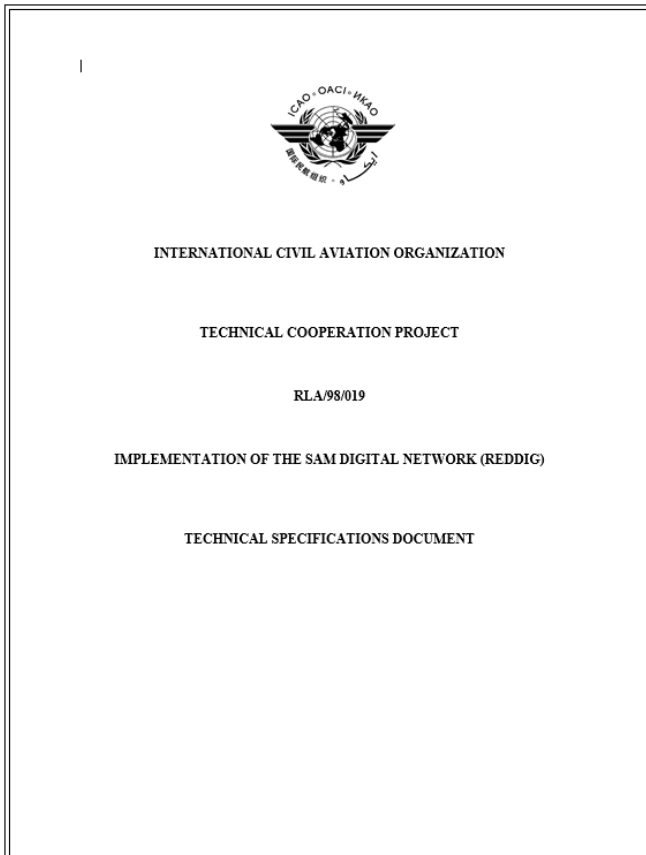
06 Conclusion

Background

A bit of History



Background



Since 1994, States began to examine various digital communications systems



Conclusion GREPECAS/6-27 (1996)



Regional Technical Cooperation Project (**RLA/98/019**)
REDDIG Implementation



Regional Technical Cooperation Project (**RLA/03/901**)
REDDIG Administration

Timeline



Implementation

VSAT Stations + ISDN circuits (Redundancy)



1998

Project RLA/98/019

REDDIG I



Administration

States should have formed a Multilateral Regional Organization (MRO)



2003

Project RLA/03/901

Initial 5 years



Modernization

A Full IP network according to DOC 9896 ATN/IPS



2015

VSAT + MPLS

REDDIG II



Discussion

IP-V6 applications, new entrants, TFP guidance, etc.

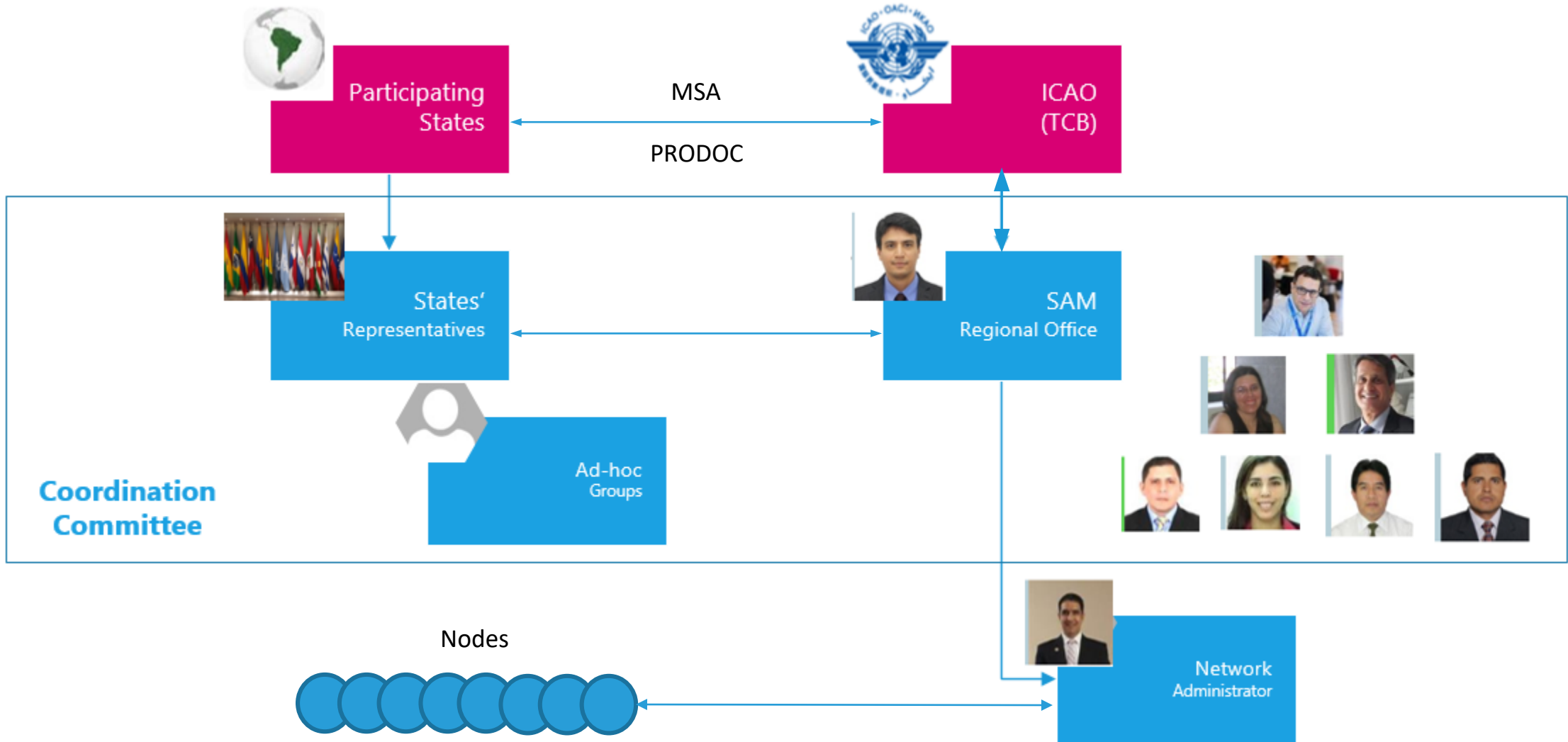


2023

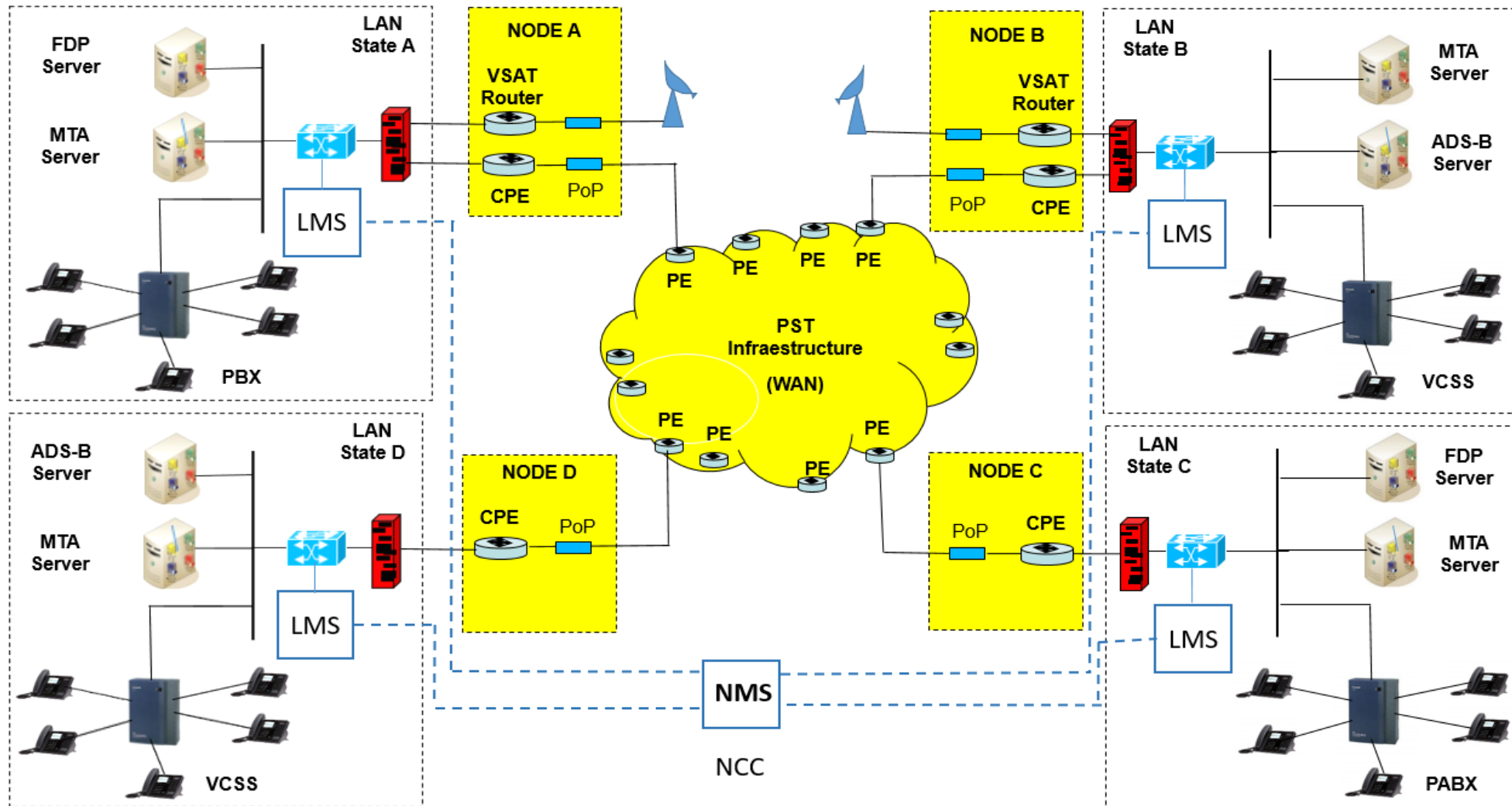
New concept

Future REDDIG III

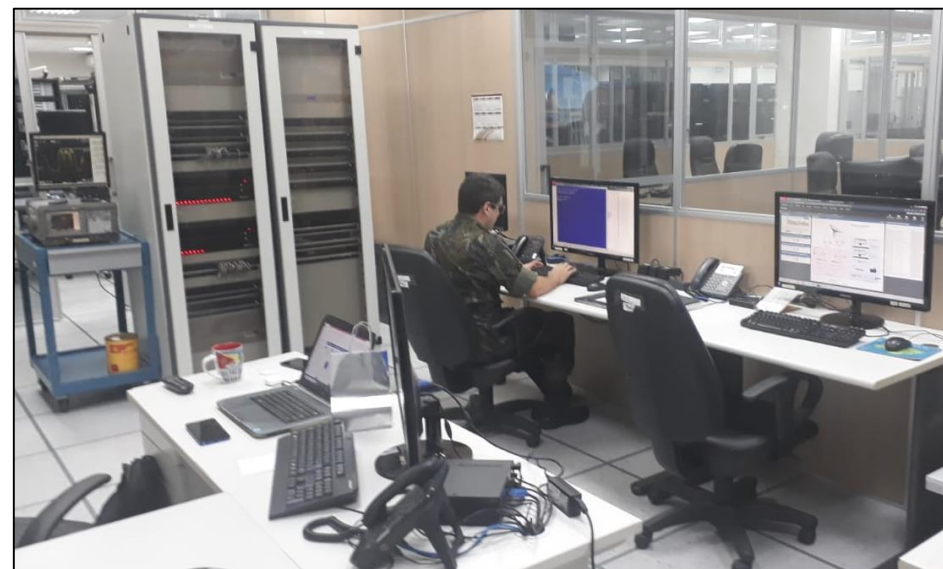
Project Management and Administration



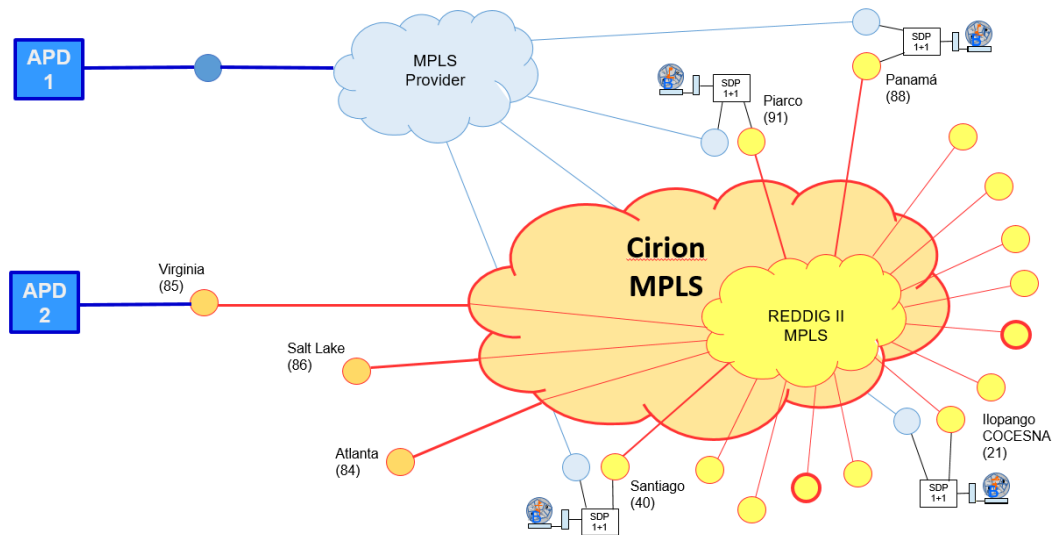
Network Administration



NCC Manaus



Conclusion



All mission-critical communications carried by REDDIG



Voice, messaging (AMHS, AIDC), surveillance data (SSR, ADS-B, ADS-C, MLAT), datalink (DATIS, DCL, CPDLC)



High availability



Low costs



Thank You!