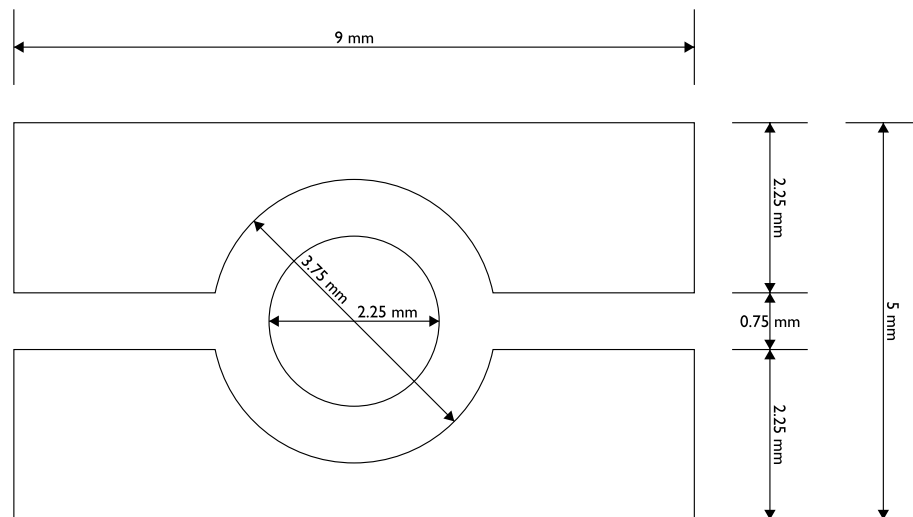


The use of the ChipInside symbol

- the symbol consists of two flat elements, intersected by a circle, enclosing a smaller circular element; the exact dimensions are given in drawing 1 below;
- the symbol stands for electronic information in a chip (the dot), enclosed by two layers of material;
- the symbol is available for identification products in two sizes:
 - Size A, for use on passport covers, 5.25 x 9 mm
 - Size B, for use on ID1 cards. 4.2 x 7.2 mm
- in size A the symbol is suitable for any printing technique, including foil-printing;
- when using size B in foil-printing extra attention should be given to the small gaps;
- it is recommended to use the original .ai or .eps files as provided on cd by ICAO; it is also possible to download the contents of the cd at: www.icao.int/mrtd

Drawing 1

Dimensions of the ChipInside symbol, size A (scaled 10:1)



Size B is an 80 % reduction of the size A symbol

Drawing 2

Size A, 5.25 x 9 mm (original dimensions)



Drawing 3

Size B, 4.2 x 7.2 mm (original dimensions)



Positioning the ChipInside symbol

It is advised to position the symbol on passport front covers as described below:

- 6 mm from the top (area A), within an area of 20 mm, free of any other information (area B);

or:

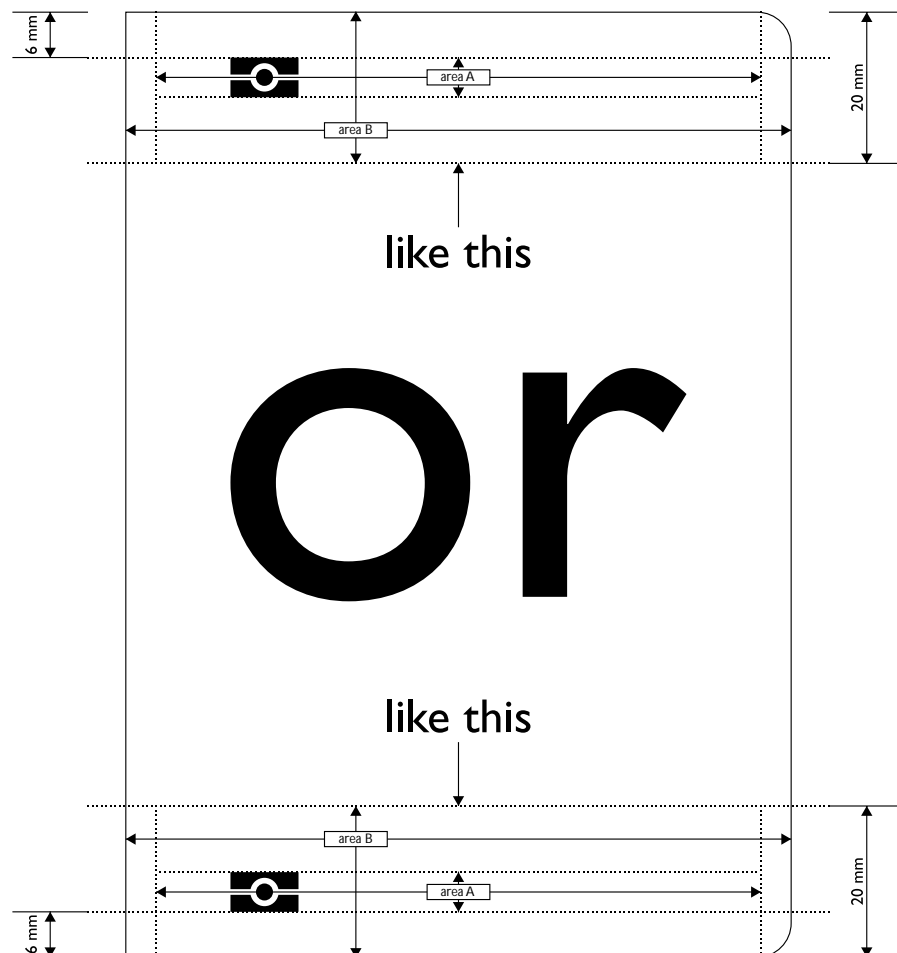
- 6 mm from the bottom (area A), within an area of 20 mm, free of any other information (area B).

There must always be space between the symbol and the left/right side of the front cover. The dimensions of these margins however are free.

The choice for positioning the symbol left, right or centered, can be made by the designer of the cover.

Drawing 4

Area and position of the size A symbol on passport covers



Use of the ChipInside symbol on ID1-documents

For use on ID1-documents it is advised to position the size B symbol within zone I (ICAO9303, part 3).

Other use of the symbol on documents

Additional use of the symbol, for instance as an element in background designs, is allowed without restrictions.

Use of the symbol, other than on documents

For use of the symbol on for instance routing signs, the original .ai files can be enlarged to any size needed. The proportions must remain intact.